

Railwrap[®]

INSULATION FOR THE RAILCAR INDUSTRY

Railwrap Specialty Division provides high temperature thermal insulation designed to withstand fire exposure as mandated by DOT regulations for tank cars. Whether a tank car is new, refurbished, or needs to be retrofitted, we supply the required insulation to meet project needs. Centrally located, our facility offers rapid turnaround, fabrication, and is stocked to meet installation demands. Fire containment and rail safety is our priority; all Railwrap products meet 49 CFR 179.18 specifications

CERAMIC BLANKET



COMBO ROLL

U.S. Patent No. 9,174,418



SINGLE REINFORCED CERAMIC FIBER

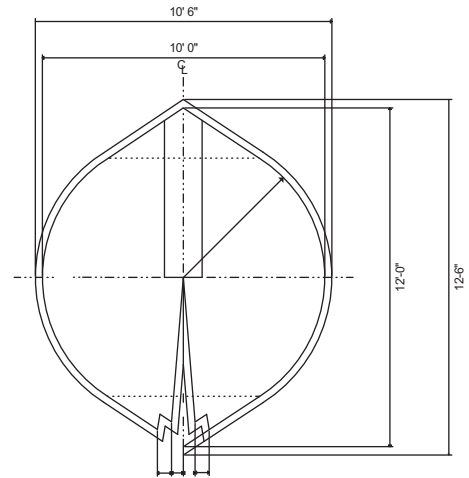
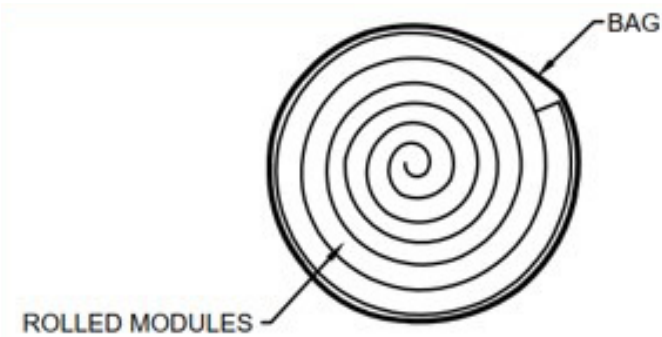


END CAP AND REPAIR KITS



Railwrap[✓]™

INSULATION FOR THE RAILCAR INDUSTRY



- Dual layered fiberglass and ceramic blanket
- Common dimensions are:
 - 31' L x 50" W with 4½" thickness
 - 34' L x 50" W with 4½" thickness

- Affixed fiberglass and ceramic blanket
- Easy installation
- Patch/repair kits available
- Common dimension:
 - 12' OD of Oval x 4½" thickness



2322 French Settlement Road #300, Dallas, TX 75212
Contact us today to purchase or request a quote.
469-727-8990